

most of the growing season but, following certain environmental cues, amictic females produce mictic daughters. These mictic females produce haploid eggs meiotically that develop into either males or, if fertilized, resting eggs. Mictic females can only be fertilized within a few hours of birth³.

Therefore, in Vollrath's example a *Brachionus rubens* female does not fit Fisher's theory of sex allocation in a simple way because she does not invest half of her reproductive resources into males and half into females. A rotifer female produces either male or female offspring, but not combinations of both. An amictic female produces only daughters, whereas a mictic female produces either males or resting eggs. As a result, the ratio of the investment in males and amictic females has nothing to do with sex allocation theory. Sex allocation should be judged on the basis of the ratio of male-producing mictic females to resting-egg-producing mictic females.

An example of the appropriate application of sex-ratio theory to the sexual phase of the rotifer life cycle is presented by Aparici *et al.*⁴ They showed that sex-ratio theory predicts that half of

the mictic females are male producing and half resting-egg producing. The equal sex-allocation principle implies, in this case, that half of the mictic females have a female sexual role, receiving sperm and producing resting eggs, and half have a male role of producing sperm. Consequently, Fisher's sex-ratio principle is applicable to rotifers, but its proper application requires a thorough understanding of the life cycle.

So the question remains: why are male rotifers dwarf? At present we cannot provide a definitive answer, but there are several features of rotifers relevant to explaining this phenomenon. Rotifer males are not only dwarf, they are also haploid and have reduced morphology (e.g. they do not feed). Their development and maturation are fast, they swim quickly and they have a short life span. Furthermore, egg size is around 30% of the adult rotifer size, which suggests that the amount of resources a mother allocates to each egg is a substantial investment. Dwarf rotifer males might be, therefore, a consequence of selection on mothers to produce rapidly as many males as possible.

Manuel Serra

Dept of Microbiology and Ecology,
University of Valencia,
E46100-Burjassot, Spain
(manuel.serra@uv.es)

Terry W. Snell

School of Biology,
Georgia Institute of Technology,
Atlanta, GA 30332, USA
(terry.snell@biology.gatech.edu)

References

- 1 Vollrath, F. (1998) *Trends Ecol. Evol.* 13, 159–163
- 2 Nogrady, T., Wallace, R.L. and Snell, T.W. (1993) *Rotifera, Volume 1: Biology, Ecology and Systematics*, SPB Academic Publishing bv
- 3 Snell, T.W. and Childress, M.J. (1987) *Int. J. Invertebr. Reprod. Dev.* 12, 103–110
- 4 Aparici, E., Carmona, M.J. and Serra, M. *Am. Nat.* (in press)

Reconstructing ancestral character states: a critical reappraisal

Clifford W. Cunningham

Kevin E. Omland

Todd H. Oakley

Using parsimony to reconstruct ancestral character states on a phylogenetic tree has become a popular method for testing ecological and evolutionary hypotheses.

Despite its popularity, the assumptions and uncertainties of reconstructing the ancestral states of a single character have received less attention than the much less challenging endeavor of reconstructing phylogenetic trees from many characters. Recent research suggests that parsimony reconstructions are often sensitive to violations of the almost universal assumption of equal probabilities of gains and losses. In addition, maximum likelihood has been developed as an alternative to parsimony reconstruction, and has also revealed a surprising amount of uncertainty in ancestral reconstructions.

Cliff Cunningham and Todd Oakley are members of the Evolution, Ecology and Organismal Biology Group and the Zoology Dept, Duke University, Durham, NC 27708-0325, USA (cliff@acpub.duke.edu; tho@acpub.duke.edu); Kevin Omland is at the Bell Museum of Natural History and Dept of Ecology, Evolution and Behavior, University of Minnesota St Paul, MN 55108, USA (komland@biosci.cbs.umn.edu).

The scarcity of direct information about the history of life has long frustrated evolutionary biologists. To understand evolution, it is necessary to know not only the character states of living organisms, but also of their ancestors. Although the fossil record is replete with examples of evolutionary transformations, adequate fossils are not available for many taxa and character types. An increasingly popular

alternative is to infer ancestral character states by mapping the character states of living organisms onto phylogenies using the method of maximum parsimony^{1,2}. For example, if all members of a monophyletic group have hair, it is parsimonious to conclude that their last common ancestor was also hairy. In more complex cases, ancestral character states are reconstructed using parsimony algorithms^{3,4} (Box 1).

A decade ago, Coddington's landmark paper⁵ used ancestral character states as a basis for testing hypotheses about adaptation in many cases, including the evolution of spider webs. Coddington argued that many adaptationist hypotheses become meaningless without information about the order and timing of character state changes. Soon after, Donoghue⁶ argued, in a paper on seed plant evolution, that explicit character state reconstructions are often the only source of information about important issues, such as the number of times a character state has arisen independently. Although Coddington and Donoghue made relatively conservative inferences, later studies proposed a plethora of evolutionary hypotheses to be tested using ancestral character state reconstructions, reviewed in *Phylogeny, Ecology and Behavior*⁷. This widely cited book – together with advances in parsimony algorithms⁴ and the publication of user-friendly computer programs (e.g. MacClade 3.0; Ref. 2) – has established a central role for ancestral state reconstruction in modern evolutionary biology.

Parsimony reconstructions are appealing and intuitively satisfying, and their authority is usually accentuated on the tree diagram by unambiguous bold lines and shadings. In large part, the recent explosion of interest in phylogenetic information has been driven by workers in many disciplines who are eager to map their characters of interest onto newly constructed phylogenies. Some especially innovative applications of ancestral state reconstruction include exploring the catalytic properties of ancestral proteins⁸ and observing the response of living species to ancestral mating calls⁹.

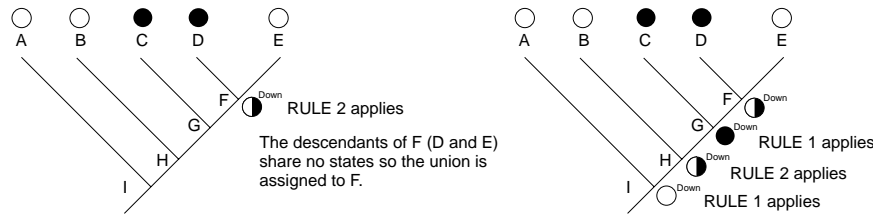
Box 1. Reconstructing ancestral states using parsimony

Ancestral states are often reconstructed using the parsimony criterion. The algorithm illustrated below identifies all unambiguous reconstructions for equally weighted, unordered characters⁴, and is implemented in commonly used computer packages such as MacClade 3.0 (Ref. 2).

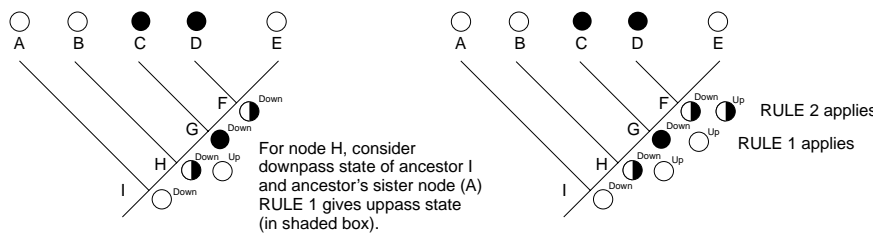
The algorithm uses a 'downpass' and 'uppass' traversal (see Figures) to optimize ancestral states using two rules:

- RULE 1: if descendant nodes share any states in common, assign the set of shared states to the ancestor.
- RULE 2: if no states are shared in descendant nodes, assign the union of descendant's states to ancestor.

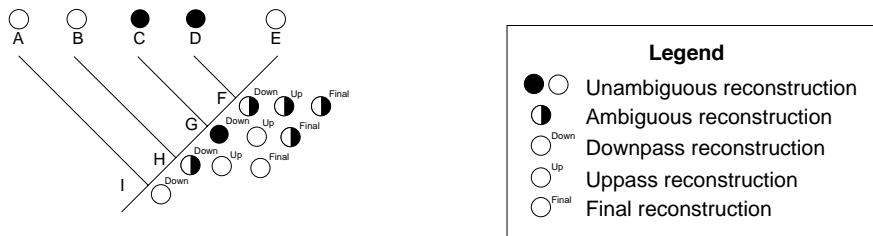
(1) **Downpass optimization:** proceed 'down' the tree towards the root, optimizing each ancestral node.



(2) **Uppass optimization:** proceed 'up' the tree away from the root, optimizing each ancestral node.



(3) **Final optimization**



For the final state of each node (e.g. node H), consider the uppass set of that node, and the downpass sets of its two descendant nodes (B and G). Choose the state that has the greatest number in all three sets. If none is in a majority, it remains ambiguous.

Despite the wide interest in ancestral state character reconstruction, there has been a growing number of workers calling for caution^{1,2,10-13}. To quote Swofford and Maddison¹: 'character state reconstructions can provide a powerful mechanism for studying many facets of the evolutionary process. However, the zeal with which these techniques are sometimes advocated belies the complexity of the problem'.

Sources of error and sensitivity analyses in parsimony reconstructions

Maximum parsimony is by far the most widely used method for reconstructing ancestral character states (Box 1). Because parsimony attempts to minimize the number of evolutionary events, there are at least two conditions under which

parsimony can be misleading: when rates of evolution are rapid^{11,14}; and when the probabilities of gains and losses are not equal¹⁰.

Figure 1 shows a case in which a combination of rapid evolution and unequal probabilities of gains and losses lead to dramatic errors in ancestral state reconstruction. In this experimental viral phylogeny, the true ancestors are known, allowing us to evaluate the accuracy of parsimony reconstruction. Each of the four bifurcating lineages experienced identical deletion events within the first 70 lytic cycles (the period between viral inoculation and the complete lysis of the host bacteria in liquid culture), where thousands of base pairs were eliminated from the genome. The nature of these deletions makes them irreversible, so that the probabilities of gains

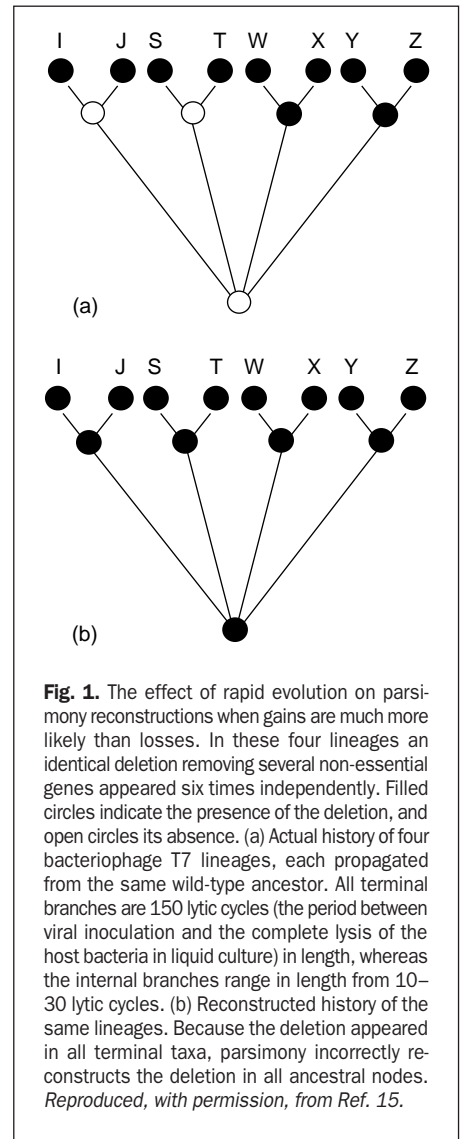


Fig. 1. The effect of rapid evolution on parsimony reconstructions when gains are much more likely than losses. In these four lineages an identical deletion removing several non-essential genes appeared six times independently. Filled circles indicate the presence of the deletion, and open circles its absence. (a) Actual history of four bacteriophage T7 lineages, each propagated from the same wild-type ancestor. All terminal branches are 150 lytic cycles (the period between viral inoculation and the complete lysis of the host bacteria in liquid culture) in length, whereas the internal branches range in length from 10–30 lytic cycles. (b) Reconstructed history of the same lineages. Because the deletion appeared in all terminal taxa, parsimony incorrectly reconstructs the deletion in all ancestral nodes. *Reproduced, with permission, from Ref. 15.*

and losses are not equal. Although the character arose six times independently, parsimony incorrectly reconstructs the deletion in all ancestral nodes¹⁵ (Fig. 1). In this case, parsimony was unable to distinguish accurately between homology and convergence.

The problem of rapid evolution cannot be overcome when using parsimony, but the problem of unequal gain-loss probabilities can be investigated by applying a range of weights^{16,17}. Step matrices can be used to reconstruct ancestral states over a range of transformation probabilities, from matrices favoring the repeated loss of a character state to matrices favoring parallel gains. Such sensitivity analyses are important because, for most characters, we would rarely expect the rate of gains and losses to be exactly equal. Consider the evolution of plumage coloration in dabbling ducks (Fig. 2). It has long been thought that dichromatism – elaborately colored males and cryptic females – is the ancestral state for duck clades, with monochromatism having evolved independently many times.

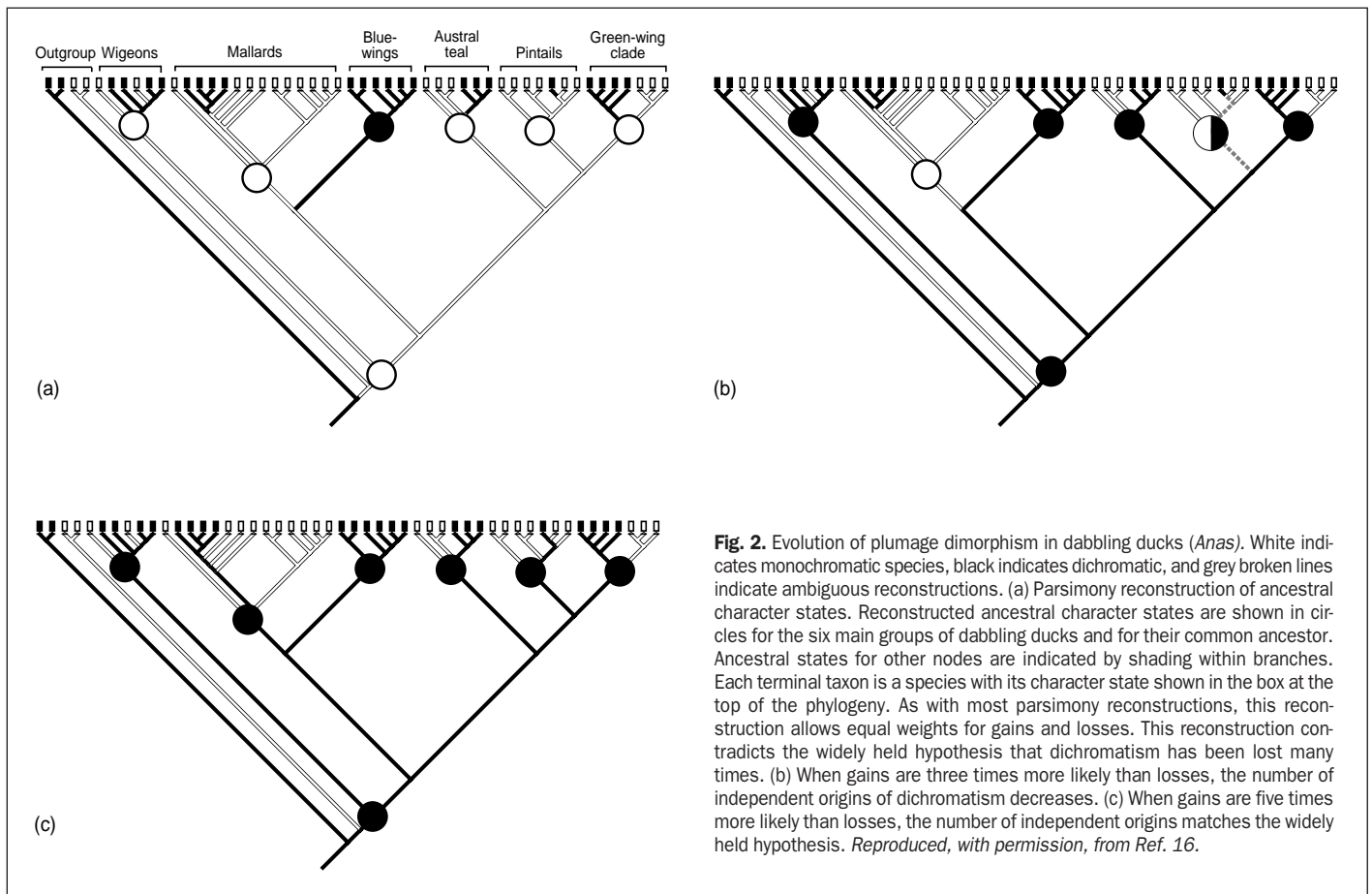


Fig. 2. Evolution of plumage dimorphism in dabbling ducks (*Anas*). White indicates monochromatic species, black indicates dichromatic, and grey broken lines indicate ambiguous reconstructions. (a) Parsimony reconstruction of ancestral character states. Reconstructed ancestral character states are shown in circles for the six main groups of dabbling ducks and for their common ancestor. Ancestral states for other nodes are indicated by shading within branches. Each terminal taxon is a species with its character state shown in the box at the top of the phylogeny. As with most parsimony reconstructions, this reconstruction allows equal weights for gains and losses. This reconstruction contradicts the widely held hypothesis that dichromatism has been lost many times. (b) When gains are three times more likely than losses, the number of independent origins of dichromatism decreases. (c) When gains are five times more likely than losses, the number of independent origins matches the widely held hypothesis. *Reproduced, with permission, from Ref. 16.*

When Omland¹⁶ applied parsimony with equal probability of gains and losses (equally weighted and unordered), he found that the inferred ancestral state for the group was monochromatism, implying that dichromatism had evolved convergently many times. In a sensitivity analysis, Omland found that only when losses were five times more likely than gains was the traditional hypothesis upheld that dichromatism is not a convergent character (Fig. 2). Omland went on to argue that a complex character, such as dichromatism, is more likely to be lost than to be gained. Furthermore, he noted several cases where monochromatic species were nested within paraphyletic dichromatic species, which was not accounted for by the species level phylogeny. For these and other reasons, Omland claimed that unequal weighting represents a more realistic model for the evolution of dichromatism. At the very least, this sensitivity analysis shows that the reconstruction of ancestral character states in dabbling ducks is not consistent across different weighting schemes.

Sensitivity analyses like this one raise a number of important questions. How can we interpret the observation that equally weighted parsimony reconstructs a monochromatic ancestor? Does this reconstruction falsify the hypothesis that the ancestor

was dichromatic, or does the reconstruction say more about the assumptions of equally weighted parsimony than about the characteristics of the ancestor? Even if we accept the reconstruction favored by equally weighted parsimony, can we estimate the degree of confidence associated with this reconstruction? Although Maddison has developed a model for investigating the general accuracy of parsimony reconstructions¹⁸, this model has not yet been applied to the problem of estimating the degree of confidence at individual nodes for specific character state distributions.

Estimating probabilities of maximum-likelihood reconstructions

Over the past few years, interest has grown in developing maximum likelihood (ML) approaches for reconstructing ancestral character states of discrete characters^{19–22}. These approaches use an explicit model of character evolution to estimate the probabilities of all possible character state reconstructions at every node on the tree. In addition to the model of evolution, these probabilities are determined by the distribution of character states in the terminal taxa, by the rate of evolution of the character and by the length of internodal branches.

These features make ML reconstructions quite different from parsimony reconstructions. Whereas parsimony minimizes the number of character state changes, ML can prefer less parsimonious reconstructions (see example of Darwin's finches). Unlike parsimony, ML considers branch length. But most important, because ML considers every possible reconstruction, it can estimate the relative probability of each character state at every node. Estimating the probability of ancestral reconstructions allows a new rigor to be applied to hypothesis testing¹⁸.

Schluter *et al.*²³ extended Pagel's²⁴ model of a continuous time Markov process that describes random evolution of discrete characters. These models include several important features:

- (1) The probability of change at a point in time along any branch of the phylogenetic tree depends only on the character state at the time, not on prior character states (a consequence of the Markovian process).
- (2) Transitions along each branch are independent of changes elsewhere on the tree (thereby allowing unparsimonious changes).
- (3) Rates of change are constant throughout time and along all branches. The rates of change between any two character states can be assumed to be equal ($0 \rightarrow 1 = 1 \rightarrow 0$) or unequal ($0 \rightarrow 1 \neq 1 \rightarrow 0$), and

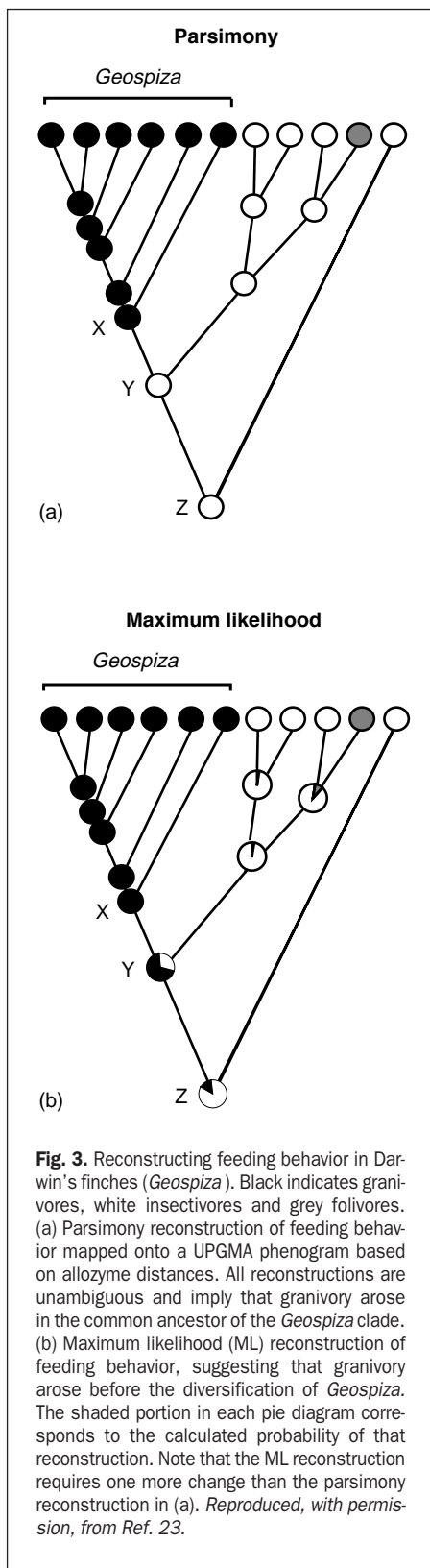


Fig. 3. Reconstructing feeding behavior in Darwin's finches (*Geospiza*). Black indicates granivores, white insectivores and grey folivores. (a) Parsimony reconstruction of feeding behavior mapped onto a UPGMA phenogram based on allozyme distances. All reconstructions are unambiguous and imply that granivory arose in the common ancestor of the *Geospiza* clade. (b) Maximum likelihood (ML) reconstruction of feeding behavior, suggesting that granivory arose before the diversification of *Geospiza*. The shaded portion in each pie diagram corresponds to the calculated probability of that reconstruction. Note that the ML reconstruction requires one more change than the parsimony reconstruction in (a). *Reproduced, with permission, from Ref. 23.*

these rates are estimated by maximizing their likelihood with respect to the distribution of observed characters on the tree^{23,24}. When rates are unequal, the number of parameters to be estimated increases rapidly with number of character states. Because of the difficulty of accurately estimating multiple parameters, Schluter *et al.* recommend using the equal change model.

Schluter *et al.* compared the behavior of their ML models to equally weighted parsimony (Fig. 3). Using an allozyme-based phylogeny of Darwin's finches (*Geospiza*), parsimony and ML differ in their reconstruction of states at one of the deeper nodes (node Y, Fig. 3a). Although parsimony finds no support for granivory outside of the *Geospiza* clade (Fig. 3a), ML reconstructs the ancestor immediately below the *Geospiza* clade as granivorous, albeit with only 70% confidence (node Y in Fig. 3b, likelihood ratio of 2.3:1)²³. As Schluter *et al.* point out, the ML reconstruction at node Y is a consequence of relative branch lengths and the assumption of a constant rate of evolution. Because the branch between node X and Y is relatively short, it is unlikely that a character evolving so slowly would have changed over the small time period it represents.

These results demonstrate that even at nodes with unambiguous parsimony reconstructions ML can prefer less parsimonious reconstructions (e.g. node Y, Fig. 3a,b). Even when parsimony and ML prefer the same reconstructions, the error associated with these reconstructions can be considerable (e.g. node Z, Fig. 3b). This error must be taken seriously because feeding mode in finches appears to evolve at a slow rate – the ideal circumstance for applying parsimony.

Whereas the limitations of the parsimony approach are well known, this ML model also has some obvious limitations. As Schluter *et al.* readily acknowledged, the most significant limitation is the assumption that every character evolves at a constant rate across the entire tree. As demonstrated here, this assumption of rate constancy is the reason why ML tends not to infer changes on relatively short branches (e.g. branch X-Y, Fig. 3b). Because rate constancy has been shown to be a questionable assumption in phylogeny reconstruction, even when averaged across many characters, its application to single-character reconstructions should be approached with caution. Although ML can theoretically incorporate variable rates, this can be problematic because more parameters would have to be estimated from a very small amount of data.

Another factor that can be considered either a strength or a weakness of Schluter *et al.*'s ML approach is its reliance on relative branch lengths to infer ancestral reconstructions. If branch lengths are accurate, they add an important temporal component lacking in discrete parsimony approaches. Unfortunately, estimates of branch lengths from any source of data are prone to error. Of special concern are branch lengths based on genes that have experienced substitutional saturation.

Box 2. What is the role of ancestral states in correlative comparative methods?

Correlative comparative methods test evolutionary hypotheses based on correlations between two character states found in the same organism, or between an organismal character and an environmental variable (reviewed in Ref. 27). For example, in mammals there is an imperfect correlation between living in the ocean and having fins. These methods depend on the assumption that each point in the correlation is independent. Because character correlations can also be created by shared phylogenetic history, a simple regression or contingency table will incorrectly treat all species as independent points.

In the example illustrated below, a simple contingency table reveals a significant correlation between states in the two characters. When ancestral states are reconstructed, however, there is only one observed transformation in each character. This means that the character states 'a' and '0' appear together in many species simply because no transformation has occurred in either character. Ridley's method of correcting for phylogenetic non-independence counts only the character associations in nodes that have experienced a transformation from the node below (described in Ref. 25). When this is done, the sample size is too low to detect any statistically significant association, even though both characters changed on the same branch.

In correlative comparative methods that use explicit reconstructions, ancestral states play a secondary role by either confirming or weakening the strength of the observed correlation. By contrast, in the homology-based hypothesis testing approaches that are the main focus of this review (e.g. Figs. 1–3), the ancestral reconstructions themselves play a primary role in hypothesis testing by distinguishing between homology and convergence.

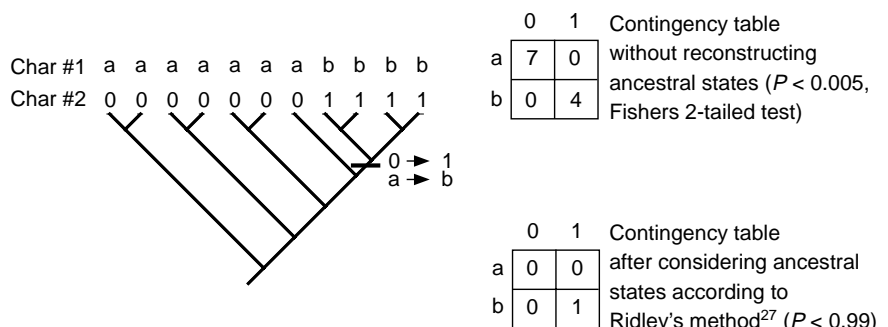
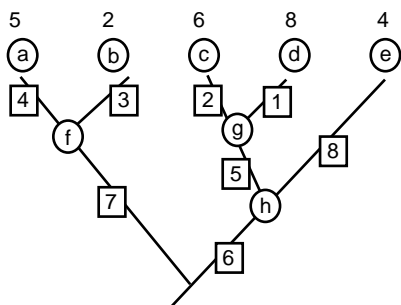


Figure adapted, with permission, from Ref. 1.

Box 3. The generalized linear model approach to reconstructing discrete and continuous characters

Although much of this article focuses on discretely varying characters, continuous characters are also important. Two parsimony methods exist for reconstructing continuous ancestral characters. Linear parsimony minimizes the absolute change on a tree, whereas squared change parsimony minimizes the sum of squared changes and is equivalent to assuming a brownian motion model. Recently, a general method has been proposed that uses expected variances among taxa³⁶. How these variances are determined depends on the evolutionary model and therefore allows flexibility in model choice (e.g. punctuational and selectional). Other advantages are the ability to include intraspecific variation, the ability to calculate variances at ancestral nodes, and options for discrete or continuous character data. A simple continuous character example is illustrated.

(1) Determine expected variances and covariances among terminal taxa, $var(Y)$, and between ancestors and terminal taxa, $var(A,Y)$, from a phylogeny and model of evolution.



$var(Y) =$

	a	b	c	d	e
a	11	7	0	0	0
b	7	10	0	0	0
c	0	0	13	11	6
d	0	0	11	12	6
e	0	0	6	6	14

□ = branch lengths
 ○ = node labels
 5 = character values

$var(A,Y) =$

	a	b	c	d	e
f	7	0	7	0	0
g	0	0	11	11	6
h	0	0	6	6	6

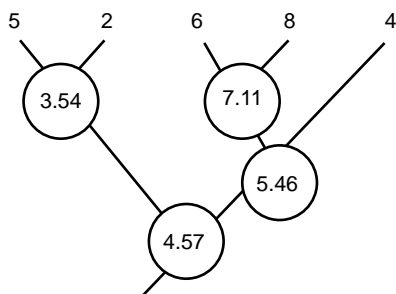
- Variance values (shaded) are the distances of each taxon from the root. Under a brownian motion model, these values are calculated by summing branch lengths. Other models differ in how they convert phylogenetic distance to variance and/or covariance.
- Covariances are the amount of shared history between two taxa measured from the root to their most recent common ancestor.

(2) Calculate the grand mean, an average of terminal taxa weighted by expected variances and covariances. For the data, tree, and model above, the grand mean $M = 4.5739$ (see Ref. 36 for details).

Ancestral states are then determined as the deviation of each node from the grand mean (root value) by the following equation:

$$A = var(A,Y) var(Y)^{-1} (Y - M) + M$$

Y is a vector {5,2,6,8,4} of observed character data, A is a vector of ancestral states and M is the grand mean. In this example, $A = \{3.54, 7.11, 5.46\}$, on the tree:



These results are equivalent to weighted squared change parsimony (with a rooted tree). Assuming different models in (1) would yield different results.

With such genes, the lengths of internal branches may be systematically underestimated^{25,26}. Because Schluter *et al.*'s ML method tends not to infer changes on small branches, errors in branch length estimation for saturated genes might introduce systematic bias towards inferring changes on terminal branches.

Schluter *et al.*'s method makes no assumptions about the magnitude of evolutionary rates. From a Bayesian perspective, this approach is equivalent to assuming a flat (equiprobable) prior-probability distribution²³. This default approach might sometimes be necessary for those morphological and behavioral characters that have

little basis for estimating rates. The main difficulty with this approach is that maximum likelihood parameters are calculated from the small amount of data available for a single character²². The next version of Pagel's computer program, 'Discrete'³⁷, will provide likelihoods of ancestral states. (This program is available from the author by e-mail at mark.pagel@zoology.oxford.ac.uk)

When inferring ancestral nucleotide and amino acid substitutions, Bayesian reconstruction methods can use models of molecular evolution to estimate the distribution of prior probabilities. These models can incorporate information about the sequence as a whole and about *a priori* information, such as empirically derived frequencies of transitions between amino acids and even protein structural information²¹. As with Schluter *et al.*'s method, these Bayesian approaches estimate the probabilities of ancestral reconstructions. Preliminary simulation studies suggest that, for molecular data, Bayesian methods generally outperform equally weighted parsimony²².

Testing evolutionary hypotheses with ancestral reconstructions

The recent work described here raises many concerns about the accuracy of ancestral reconstructions. In the past, any unambiguous parsimony reconstruction was generally considered sufficiently robust for cladistic hypothesis testing^{7,23}. If the reconstructed state for the ancestral node of a group contradicted a long-held hypothesis, that hypothesis was considered falsified. We have seen that invoking unequal weighting (Fig. 2) or using ML to infer the ancestral state (Fig. 3) can change unambiguous equally weighted parsimony reconstructions. Furthermore, the results of the ML analyses show that there could be considerable uncertainty in ancestral reconstructions, especially for the deeper nodes in the tree²³. These results suggest that caution should be used when testing evolutionary hypotheses using ancestral state reconstructions (but see discussion of correlative comparative methods in Box 2 and Ref. 27).

On the one hand, equally weighted parsimony might be appropriate when attempting to reject a null hypothesis of equal rates of gains and losses²⁸⁻³⁰. If a reconstruction based on equally weighted parsimony suggests that a character of interest evolved in parallel significantly more often than it was lost, this would falsify a null hypothesis of equal probability of gains and losses.

On the other hand, testing an evolutionary hypotheses with equally weighted parsimony is problematic when the null hypothesis is directional^{12,31}. For example,

it is widely believed that complex characters, such as dichromatism, eyes, feeding larvae and wings, have a low probability of origin but can be lost or reduced by the action of a few genes³². Once lost, complex characters are often believed to be difficult to regain, especially after a long period of time^{12,31,32}. As seen in the case of plumage evolution (Fig. 2), it may not be appropriate to test a directional hypothesis with a method of reconstructing ancestral character states that allows equal probability of gains and losses (equally weighted parsimony or equal change ML). In some cases, however, sensitivity analyses could shed light on the degree of asymmetry necessary to support the original, directional hypotheses^{16,17,33}.

Finally, when testing evolutionary hypotheses we must consider the accuracy of the phylogenies themselves. Although this important issue is beyond the scope of this article, careful attention must be placed on the details of phylogenetic reconstruction. In particular, it is important to test explicitly whether trees supporting alternative hypotheses of character evolution represent a significantly worse fit to the data than minimum length trees^{33–35}.

Developing better models for ancestral state reconstructions

In many cases, ancestral character state reconstructions based on simple models will not resolve issues such as the homology and directionality of evolutionary transformations. Although complex models are available for molecular evolution, it is not always obvious how to develop and apply better models for reconstructing the evolution of morphological and behavioral characters (but see Refs 30 and 32). From the standpoint of implementation, Martins and Hansen³⁶ have made a significant theoretical advance with their general method for applying sophisticated evolutionary models to reconstructing ancestral character states for discrete and continuous characters (Box 3). Ultimately, however, determining the parameters for more realistic models of character evolution will have to depend on information from genetics, developmental biology, functional morphology and the fossil record. This information could also be useful for making more informed homology statements and for confirming the accuracy and plausibility of ancestral state reconstructions. Tree-based approaches to reconstructing ancestral character states form an important tool in generating and testing hypotheses of character evolution, but these methods should not be considered in isolation.

Acknowledgements

C.W.C. is supported by NSF systematics grant DEB-9615461; K.E.O. is supported

by an NSF postdoctoral fellowship; and T.H.O. is supported by a NASA GSRP fellowship. We thank the many individuals who commented on earlier drafts of this article, including Mitch Leslie, Emilia Martins, Paul Manos, Fred Nijhout, Steve Nowicki, Rick Ree, Dolph Schluter, Steve Vogel, Will Wilson, Bob Zink, and two anonymous reviewers.

References

- 1 Swofford, D.L. and Maddison, W.P. (1992) **Parsimony, character-state reconstructions, and evolutionary inferences**, in *Systematics, Historical Ecology, and North American Freshwater Fishes* (Mayden, R.L., ed.), pp. 186–223, Stanford University Press
- 2 Maddison, W.P. and Maddison, D.R. (1992) *MacClade: Analysis of Phylogeny and Character Evolution. Version 3.0*, Sinauer
- 3 Farris, J.S. (1970) **Methods for computing Wagner trees**, *Syst. Zool.* 19, 83–92
- 4 Swofford, D.L. and Maddison, W.P. (1987) **Reconstructing ancestral character states under Wagner parsimony**, *Math. Biosci.* 87, 199–229
- 5 Coddington, J.A. (1988) **Cladistic tests of adaptational hypotheses**, *Cladistics* 4, 3–22
- 6 Donoghue, M.J. (1989) **Phylogenies and the analysis of evolutionary sequences, with examples from seed plants**, *Evolution* 43, 1137–1156
- 7 Brooks, D.R. and McLennan, D.A. (1991) *Phylogeny, Ecology, and Behavior*, University of Chicago Press
- 8 Jermann, T.M. *et al.* (1995) **Reconstructing the evolutionary history of the artiodactyl ribonuclease superfamily**, *Nature* 374, 57–59
- 9 Ryan, M.J. and Rand, A.S. (1995) **Female responses to ancestral advertisement calls in tungara frogs**, *Science* 269, 390–392
- 10 Schultz, T.R., Cocroft, R.B. and Churchill, G.A. (1996) **The reconstruction of ancestral character states**, *Evolution* 50, 504–511
- 11 Frumhoff, P.C. and Reeve, H.H. (1994) **Using phylogenies to test hypotheses of adaptation: a critique of some current proposals**, *Evolution* 48, 172–180
- 12 Strathmann, R.R. and Eernisse, D.J. (1994) **What molecular phylogenies tell us about the evolution of larval forms**, *Am. Zool.* 34, 502–512
- 13 Pagel, M.D. (1994) **The adaptationist wager**, in *Phylogenetics and Ecology* (Eggleton, P. and Vane-Wright, R.I., eds), pp. 29–52, Academic Press
- 14 Felsenstein, J. (1973) **Maximum-likelihood and minimum-steps methods for estimating evolutionary trees from discrete characters**, *Syst. Zool.* 22, 240–249
- 15 Cunningham, C.W. *et al.* (1997) **Parallel molecular evolution of deletions and nonsense mutations in bacteriophage T7**, *Mol. Biol. Evol.* 14, 113–116
- 16 Omland, K.E. (1997) **Examining two standard assumptions of ancestral reconstructions: repeated loss of dichromatism in dabbling ducks (Anatini)**, *Evolution* 51, 1636–1646
- 17 Ree, R.H. and Donoghue, M.J. **Step matrices and the interpretation of homoplasy**, *Syst. Biol.* (in press)
- 18 Maddison, W.P. (1995) **Calculating the probability distributions of ancestral states reconstructed by parsimony on phylogenetic trees**, *Syst. Biol.* 44, 474–481

- 19 Schluter, D. (1995) **Uncertainty in ancient phylogenies**, *Nature* 377, 108–109
- 20 Yang, Z., Kumar, S. and Nei, M. (1995) **A new method of inference of ancestral nucleotide and amino acid sequences**, *Genetics* 141, 1641–1650
- 21 Koshi, J.M. and Goldstein, R.A. (1996) **Probabilistic reconstruction of ancestral protein sequences**, *J. Mol. Evol.* 42, 313–320
- 22 Zhang, J. and Nei, M. (1997) **Accuracies of ancestral amino acid sequences inferred by the parsimony, likelihood, and distance methods**, *J. Mol. Evol.* 44 (Suppl.), S139–S146
- 23 Schluter, D. *et al.* (1997) **Likelihood of ancestor states in adaptive radiation**, *Evolution* 51, 1699–1711
- 24 Pagel, M. (1994) **Detecting correlated evolution on phylogenies: a general method for the comparative analysis of discrete characters**, *Proc. R. Soc. London Ser. B* 255, 37–45
- 25 Fitch, W.M. and Beintema, J.J. (1990) **Correcting parsimonious trees for unseen nucleotide substitutions – the effect of dense branching as exemplified by RNase**, *Mol. Biol. Evol.* 7, 438–443
- 26 Graybeal, A. (1994) **Evaluating the phylogenetic utility of genes: a search for genes informative about deep divergences among vertebrates**, *Syst. Biol.* 43, 174–193
- 27 Harvey, P.H. and Pagel, M.D. (1991) *The Comparative Method in Evolutionary Biology*, Oxford University Press
- 28 Sanderson, M.J. (1993) **Reversibility in evolution: a maximum likelihood approach to character gain-loss bias in phylogenies**, *Evolution* 47, 236–252
- 29 Maddison, W.P. (1990) **A method for testing the correlated evolution of two binary characters: are gains or losses concentrated on certain branches of a phylogenetic tree?** *Evolution* 44, 539–557
- 30 Jacobs, S.C., Larson, A. and Cheverud, J.M. (1995) **Phylogenetic relationships and orthogenetic evolution of coat color among Tamarins (Genus *Saguinus*)**, *Syst. Biol.* 44, 515–532
- 31 Hart, M.W., Byrne, M. and Smith, M.J. (1997) **Molecular phylogenetic analysis of life-history evolution in Asterinid starfish**, *Evolution* 51, 1848–1861
- 32 Maddison, D.R. (1994) **Phylogenetic methods for inferring the evolutionary history and processes of change in discretely valued characters**, *Annu. Rev. Entomol.* 39, 267–292
- 33 Donoghue, M.J. and Ackerly, D.D. (1996) **Phylogenetic uncertainties and sensitivity analysis in comparative biology**, *Philos. Trans. R. Soc. London Ser. B* 351, 1241–1249
- 34 Li, W.-H. and Zharkikh, A. (1995) **Statistical tests of DNA phylogenies**, *Syst. Biol.* 44, 49–63
- 35 Huelsenbeck, J.P. and Rannala, B. (1997) **Phylogenetic methods come of age: testing hypotheses in an evolutionary context**, *Science* 276, 227–232
- 36 Martins, E.P. and Hansen, T.F. (1997) **Phylogenies and the comparative method: a general approach to incorporating phylogenetic information into the analysis of interspecific data**, *Am. Nat.* 149, 646–667

Reference added in proof

- 37 Pagel, M. (1997) **Inferring evolutionary processes from phylogenies**, *Zool. Scr.* 26, 331–348